



EP-2805R-DIMMER-1Z

EP-2805D-DIMMER-1Z

# EP-2805-DIMMER-1Z

## RF REMOTE 1 ZONE



### Product Introduction:

EP-2805D-DIMMER-1Z is portable rotary RF dimmer with 256 levels logarithmic dimming from 1-100%.

EP-2805R-DIMMER-1Z is wall rotary RF dimmer with 256 levels logarithmic dimming from 1-100%.

Simple and friendly use for dimming and switching ON/OFF for 1zone controlled.

### Performance Parameter

**REMOTE: (MODEL: EP-2805R & EP-2805D)**

Operation voltage: 3VDC(CR2032 &CR2025)

Operation frequency: 434MHZ/868MHZ

**RECEIVER: (MODEL:EP-2501-EA-1Z-CVC)**

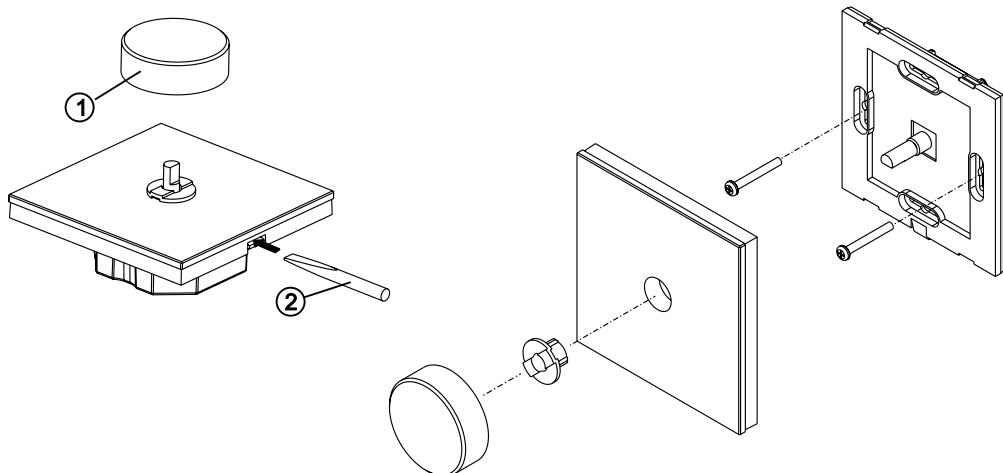
Input Voltage: 12-24VDC

Input Current: 4CH×8A max

Output power: 4CH×(36-108W) max

Working Frequency: 434MHZ/868MHZ/915MHZ ( optional )

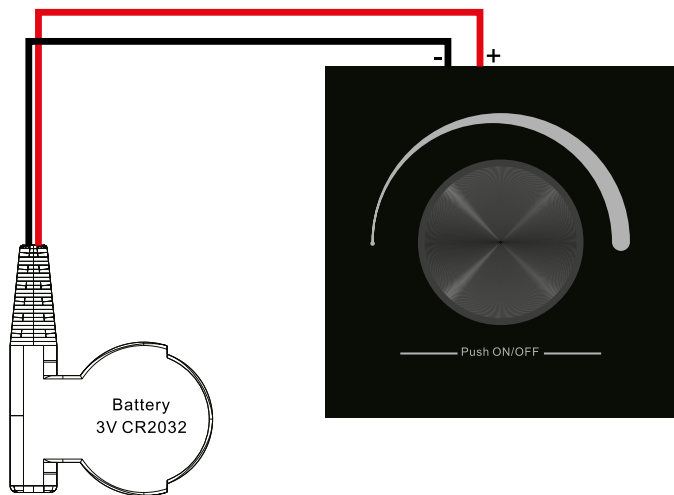
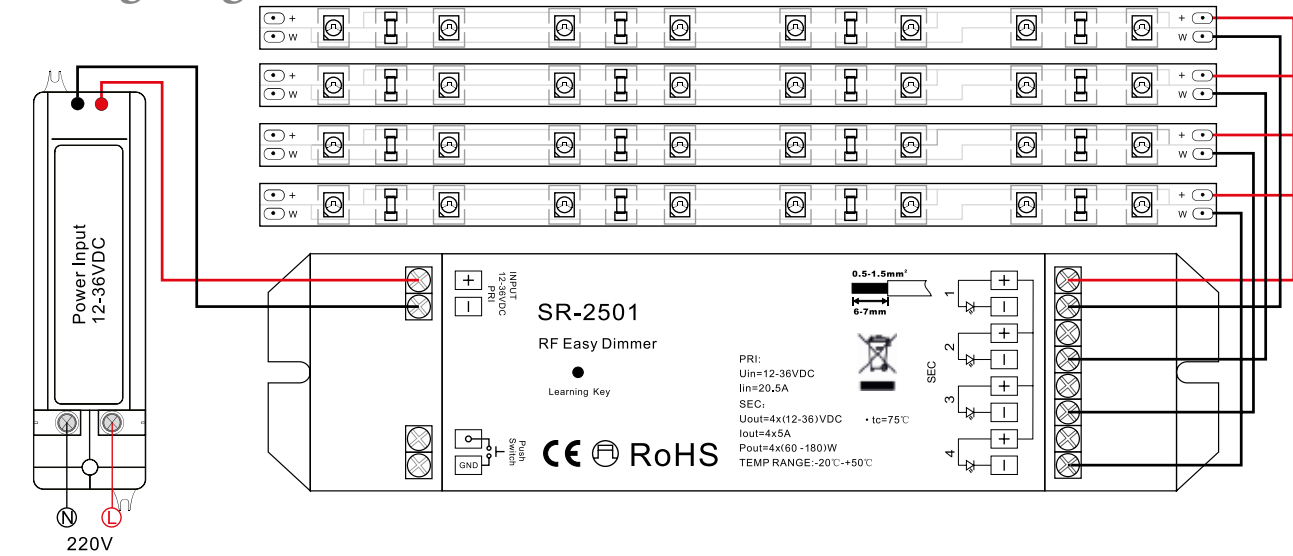
### Installation



EP-2805-DIMMER-1Z



## Wiring Diagram



EP-2805R-DIMMER-1Z



EP-2805D-DIMMER-1Z

## Operation Manual

Please pair remote and receiver, after finishing connecting receivers with LED lights correctly, base on diagram above.

4.1 Press shortly the learning Key ● on the receiver, then push the rotary button . Once successfully learn, the LED lights will blink on the receiver. Do the same for the other receivers if you use them, you can add as many optional receivers as you want.

4.2 Short push rotary button to switch ON/OFF

Adjust dim brightness by the rotary button from left to right 1-100%

Adjust dim brightness by the rotary button from right to left 100-1%