

Specifier's Reference
Project
Type
Model No.
Comments or Special Instructions

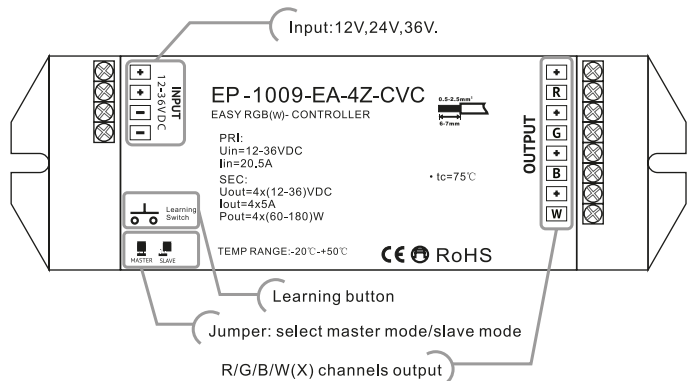
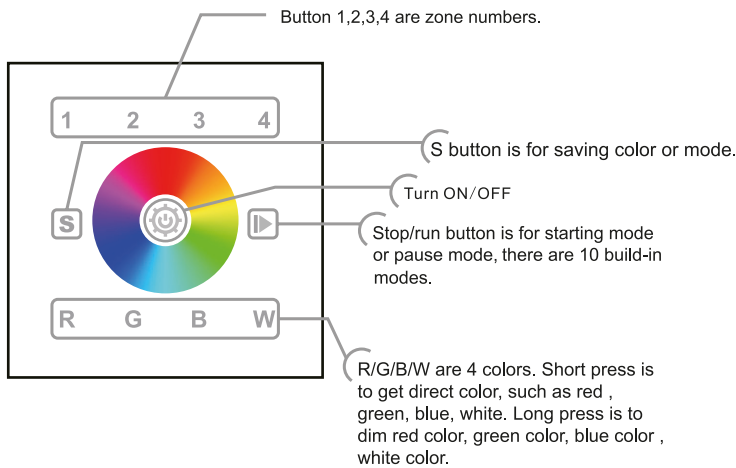
EPIC'S EP-2820-4Z-WMC RF REMOTE

SPECIFICATIONS

SENDER: EP-2820-4Z-WMC
Operation voltage: 12-24VDC
Operation frequency: 434MHZ / 868MHZ
Size(mm): 86x86x41
RECEIVER: MODEL: EP-1009-EA-4Z-CVC
Input voltage: 12-36VDC
Output voltage: 12-36VDC
EP-1009-EA-4Z-CVC: 4 channels x 5A, 4channels x (60-180W) - Constant Voltage
RECEIVER: EP-1009-350-EA-4Z-CCC
Input voltage: 12-36VDC
Output voltage: 12-36VDC
EP-1009-350-EA-4Z-CCC: 4 channels x 700mA, 4 channels x (4.2-12.6W) - Constant Current
RECEIVER: EP-1009-1000-EA-4Z-CCC
Input voltage: 12-36VDC
Output voltage: 12-36VDC
EP-1009-1000-EA-4Z-CCC: 4 channels x 1000mA, 4 channels x (8.4-25.2W) - Constant Current



EP-2820-4Z-WMC touch panel (For RGBW) is high sensitive glass touch panel, which has 4 different zones. It can get Red/ Green/ Blue/ White color directly. The wall mounted controller can save up to 4 colors or 4 modes into corresponding buttons (1-4 buttons) for each zone. You can choose any color through color wheel. any finishing color could be customized. This wall switch suit for any RGB or RGBW LED lightings for home club bar etc.



Ordering Information

PRODUCT

- SENDER: (MODEL: EP-2820-4Z-WMC)
- RECEIVER: (MODEL: EP-1009-EA-4Z-CVC) CONSTANT VOLTAGE **or**
- RECEIVER: (MODEL: EP-1009-700-EA-4Z-CCC) CONSTANT CURRENT **or**
- RECEIVER: (MODEL: EP-1009-1000-EA-4Z-CCC) CONSTANT CURRENT

