

# EPIC'S EP-DMX-W-2201 WHITE ONLY CONTROLLER

EP-DMX-W-2201 DMX512 Master touch panel (For Full white color) is DMX signal output to connect DMX decoders. It is of high sensitive glass touch panel, and any finishing color could be customized. This DMX512 Master touch panel suit for full white color LED lightings for home club bar office public places etc.

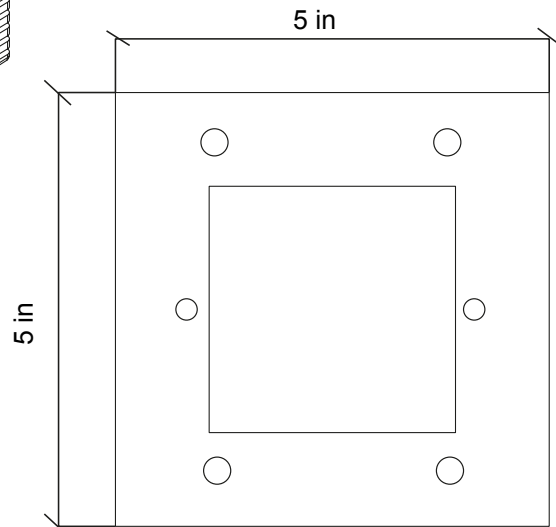
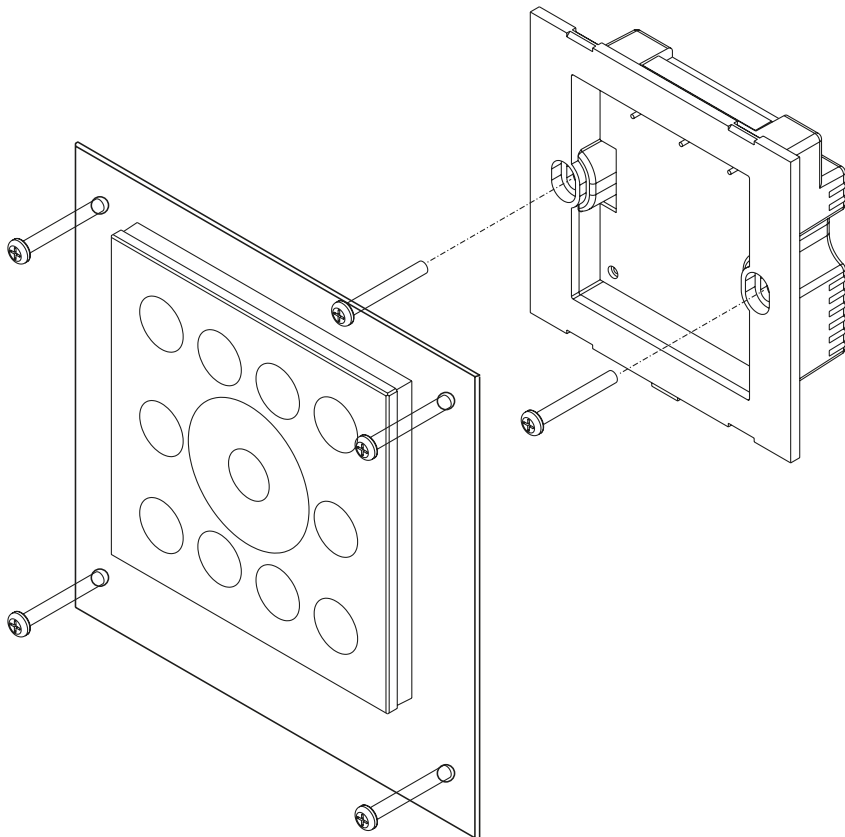
Specifier's Reference
Project
Type
Model No.
Comments or Special Instructions

## SPECIFICATIONS

Input voltage: 12-24V DC

Output: DMX512 signal

Size: 3.38in x 3.38in x 1.37in



**EP-DECORATIVE-PLATE**

## Ordering Information

### PRODUCT

EP-DMX-W-2201

EP-DECORATIVE-PLATE

