

| |
|----------------------------------|
| Specifier's Reference |
| Project |
| Type |
| Model No. |
| Comments or Special Instructions |

EPIC'S EP-RGB-RC-PANEL RF REMOTE

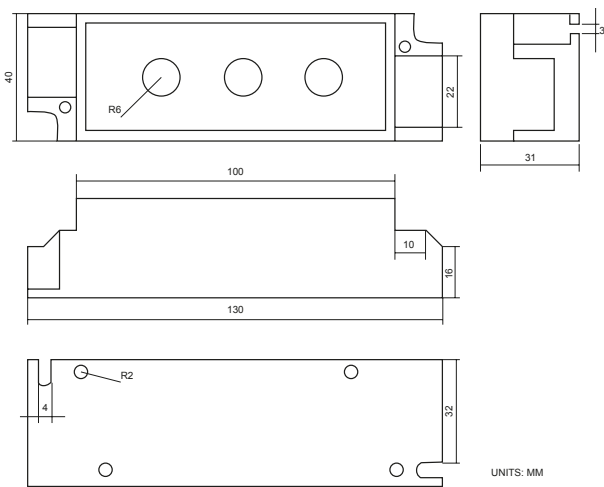
SPECIFICATIONS

| | |
|----------------------|---|
| Working temperature: | -20-60 Deg |
| Supply voltage: | DC5V, 12V, 18V, 24V < optional > (supply voltage should be marked on order) |
| Output: | 3 channels |
| Connection mode: | common anode |
| External dimension: | L120 x W75 x H31 mm |
| Packing size: | L145 x W95 x H50 mm |
| Net weight: | 185g |
| Gross weight: | 245g |
| Static power: | <1W |
| Output current: | <3A(each channel) |
| Output power: | 5V<45W, 12V<108W, 24V<216W |

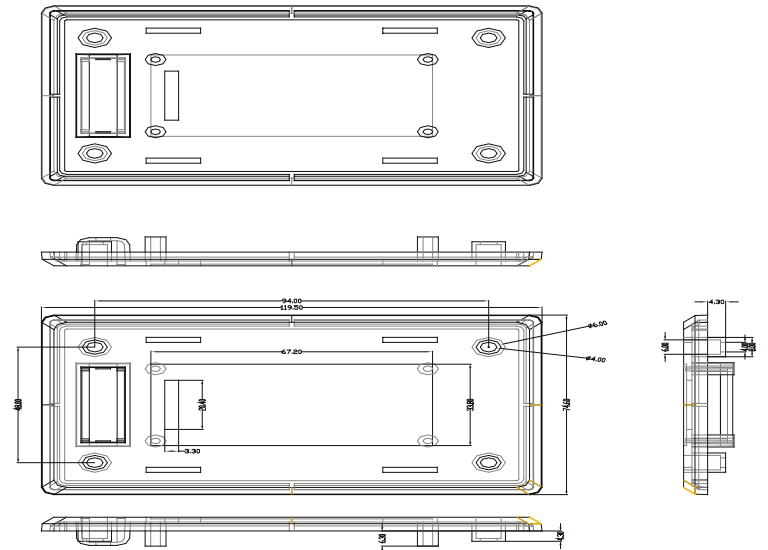


The Panel controller controller adopts the advanced micro-control unit, it is used for controlling a variety of lamp whose source of light is LED. For instance, point source of light, flexible strip light, wall washer lamp, glass curtain wall light and so on; It has many advantages such as easy connection and simplicity to use; According to the actual need of customers, it can carry out jumpy changing, gradual changing, stroboflash and other effects of change.

EXTERNAL DIMENSIONS



PANEL DIMENSIONS



Ordering Information

PRODUCT

EP-RGB-RC-PANEL

